



PENTAIR
SÜDMO



HYGIENIC PROCESS VALVES

F264J HYGIENIC

NON-RETURN VALVE

**STAINLESS STEEL NON-RETURN VALVE
FOR REVERSE FLOW PROTECTION**

PENTAIR SÜDMO F264J HYGIENIC NON-RETURN VALVE

STAINLESS STEEL NON-RETURN VALVE FOR REVERSE FLOW PROTECTION



FEATURES

- Stainless steel construction
- In-line cleanability
- High flow co-efficient values
- Compact design
- Easy maintenance
- Resilient seal for tight shut-off
- Can be installed in any position
- End connections available in:
 - Butt weld or Clamp as standard
 - Other end connections available upon request
- Flow direction indicator

GENERAL APPLICATIONS

Ideal for general process, filling lines and backflow prevention on liquid service.

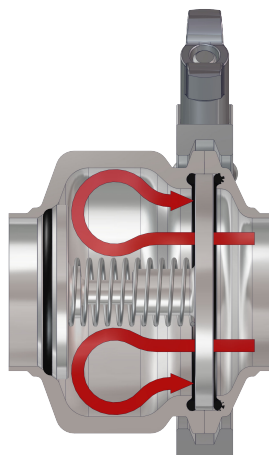
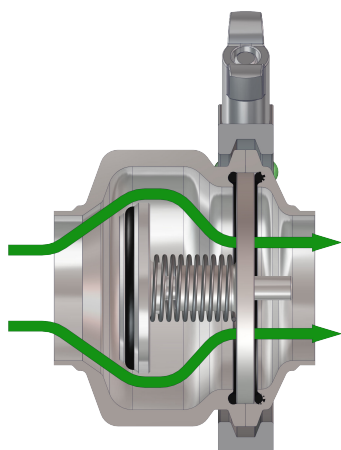
TECHNICAL DATA

Max. pressure at 20°C (68°F): 10bar (145psi)

Min. pressure at 20°C (68°F): Full vacuum

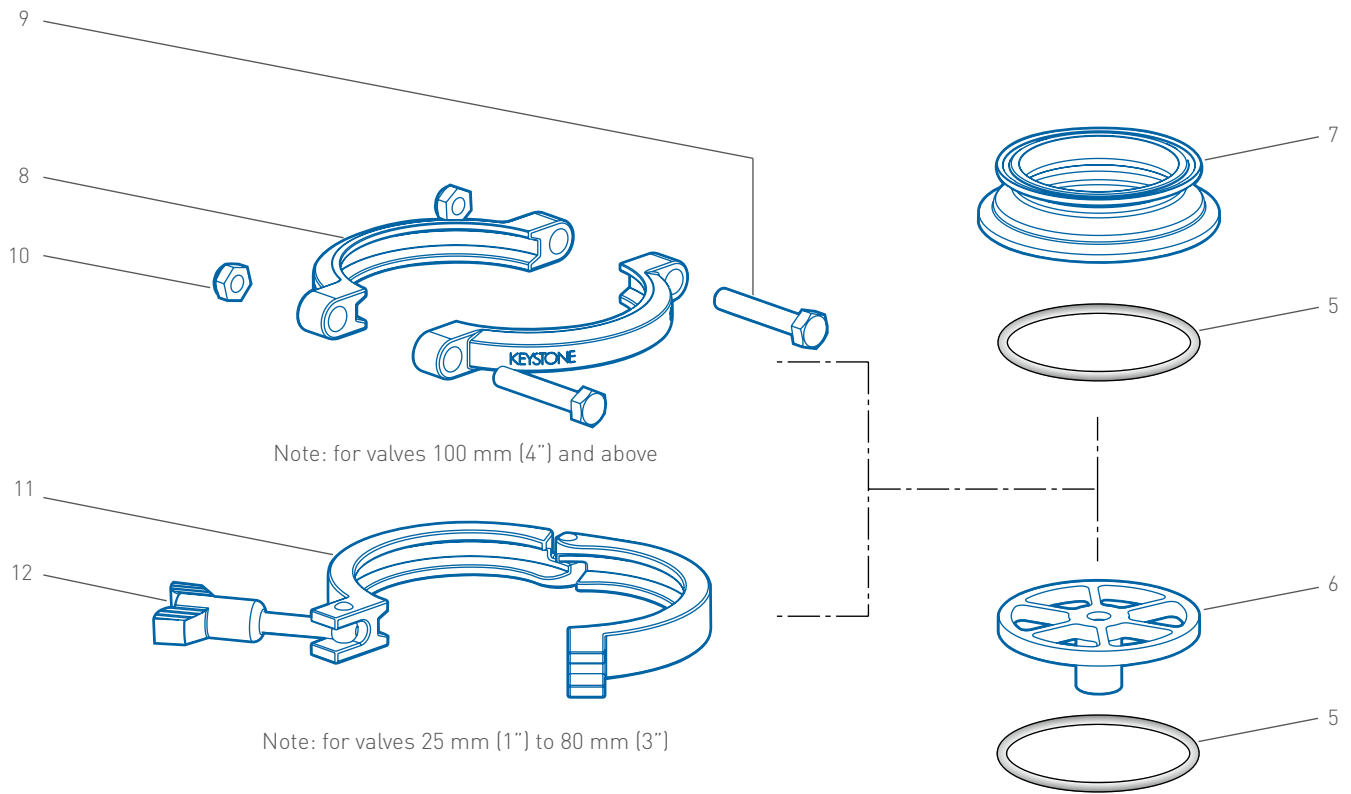
Sizes: Metric DN 25 to 150 (Inch OD 1" to 6")

Temperature range: -10°C to 95°C (14°F to 230°F)



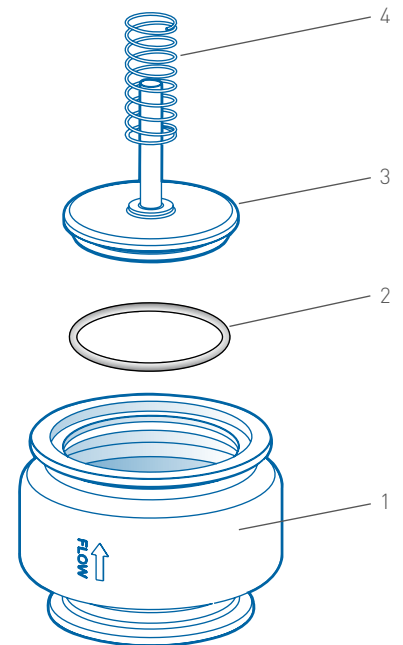
PENTAIR SÜDMO F264J HYGIENIC NON-RETURN VALVE

STAINLESS STEEL NON-RETURN VALVE FOR REVERSE FLOW PROTECTION



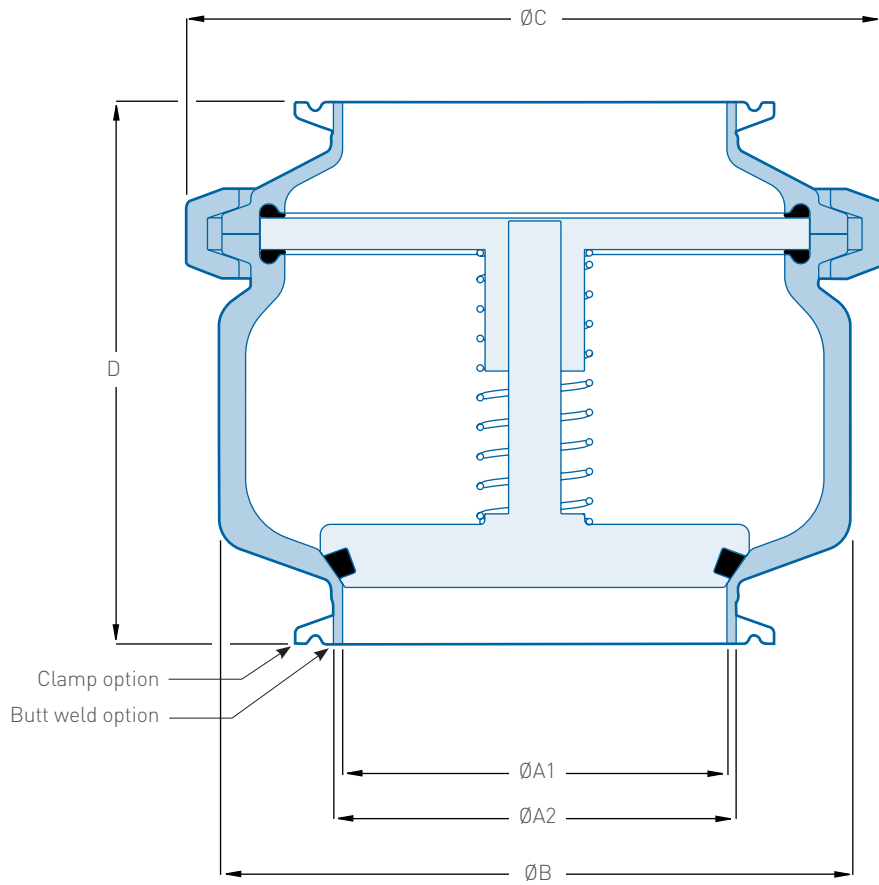
PARTS LIST

No.	Description	Material	Standard
1	Body	316 SS	ASTM A276
2	Plug seal	NBR, EPDM (FKM)	FDA (Commercial)
3	Plug	316 SS	ASTM A276
4	Spring	302 SS	ASTM A313
5	Guide plate seal	NBR, EPDM (FKM)	FDA (Commercial)
6	Guide plate	316 SS	ASTM A276
7	Cover	316 SS	ASTM A276
8	Heavy duty clamp	304 CF8 SS	ASTM A743 CF8
9	Bolt	304 SS	ASTM A276
10	Nut	304 SS	ASTM A276
11	Swing clamp	304 CF8 SS	ASTM A743 CF8
12	Swing clamp nut	304 CF8 SS	ASTM A743 CF8



PENTAIR SÜDMO F264J HYGIENIC NON-RETURN VALVE

STAINLESS STEEL NON-RETURN VALVE FOR REVERSE FLOW PROTECTION



PENTAIR SÜDMO F264J HYGIENIC NON-RETURN VALVE

STAINLESS STEEL NON-RETURN VALVE FOR REVERSE FLOW PROTECTION

DIMENSIONS (METRIC)

Valve size	ØA1	ØA2	ØB	ØC	D
25	22.3	25.4	64	78.3	71.0
40	35.0	38.1	64	78.3	71.0
50	47.7	50.8	90	108.0	86.0
65	60.4	63.5	99	108.0	93.0
80	73.1	76.2	120	132.5	103.0
100	98.5	101.6	152	146.0	113.0
150	148.5	152.4	233	216.8	154.8

DIMENSIONS (INCH OD)

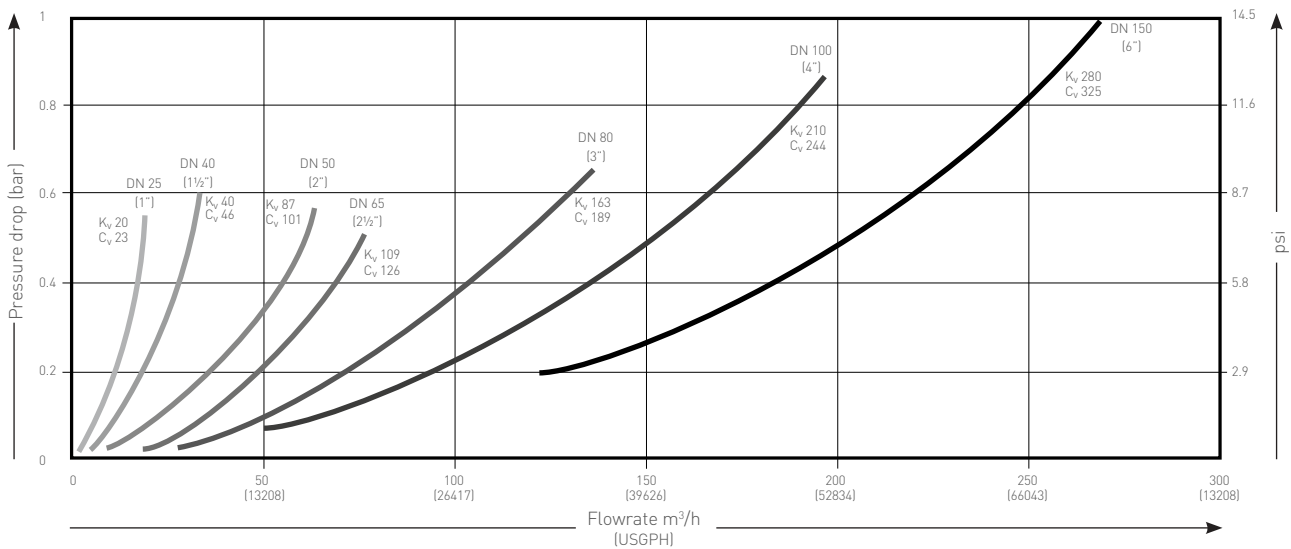
Valve size	ØA1	ØA2	ØB	ØC	D
1.0"	0.88	1.0	2.5	3.00	2.8
1.5"	1.38	1.5	2.5	3.00	2.8
2.0"	1.88	2.0	3.5	4.25	3.4
2.5"	2.38	2.5	3.9	4.25	3.7
3.0"	2.88	3.0	4.7	5.20	4.0
4.0"	3.88	4.0	6.0	5.75	4.4
6.0"	5.84	6.0	9.2	8.50	6.1

Note

Metric (mm) conforms to DIN 11850 and DIN 32676

Inch OD conforms to ISO 2037, BS 4825-1 and ISO 2852

PRESSURE DROP GRAPH



PENTAIR SÜDMO F264J HYGIENIC NON-RETURN VALVE

STAINLESS STEEL NON-RETURN VALVE FOR REVERSE FLOW PROTECTION

SELECTION GUIDE

Example:			2.0"	F264J	EPDM	BW	-
Valve size	Metric	Inch OD					
025	25	1.0"					
040	40	1.5"					
050	50	2.0"					
065	65	2.5"					
080	80	3.0"					
100	100	4.0"					
125	125	5.0"					
150	150	6.0"					
Figure							
F264J	Standard non return valve						
O-ring							
NBR	316L						
FKM	316L						
EPDM	316L						
FEP	316L						
End connections (shown both ends i.e. BW/BW, BW/CLP etc. inlet side defined first)							
Weld ends				Thread ends			
BW	Butt weld (Std.)			RJF	RJT male part (fabricated)		
BWD	Butt weld DIN tube			RMF	RJT male part modified spigot (fabricated)		
B25	Butt weld 25 mm end 1						
Clamp ends							
CLP	Clamp (machined)						
C50	Clamp machined 50 mm fitting						
DCL	DIN clamp end, DIN sizing						
Extended definer							
-	- (Std.)						
DRN	Body drain						



PENTAIR FLOW TECHNOLOGIES PACIFIC PTY LTD

12-14 KAÏMIRO STREET, PUKETE INDUSTRIAL ESTATE, HAMILTON, 3200, NEW ZEALAND ANZ.SALES@PENTAIR.COM WWW.PENTAIR.COM

All Pentair trademarks and logos are owned by Pentair. All other brand or product names are trademarks or registered marks of their respective owners.

Because we are continuously improving our products and services, Pentair reserves the right to change specifications without prior notice. Pentair is an equal opportunity employer.

EBPJV-0777 E-14/16 © 2016 Pentair - All Rights Reserved.